

FIG.719.
1

POST INDICATORS

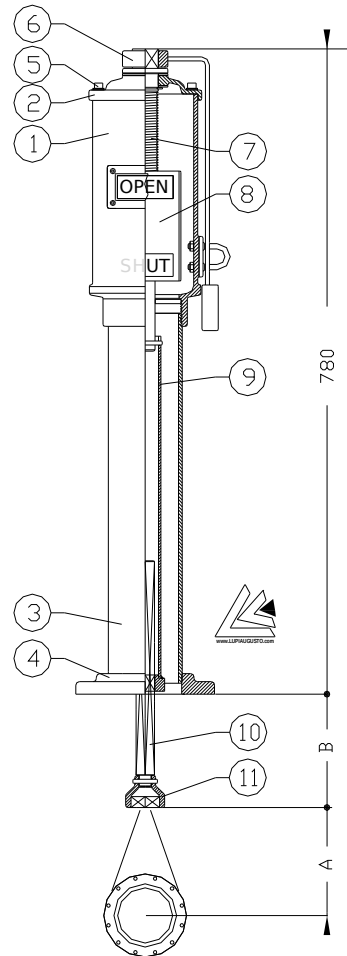


LUPI AUGUSTO TANK & PIPING PRODUCTS ITALY phone: +39 069370701 fax: +39 0697847415

e-mail lupiaugusto@lupiaugusto.com web-site : www.lupiaugusto.com

Technical data	
Design temperature	-45/120 °C
Standard features	OPEN/SHUT indication lever with safety padlock
Max "B" height	6 m
Pipe size	4"
Factory tested	dimensional and operating
Connection	flanged Ansi 150# FF or UNI PN10/16
External finiture:	Epoxy cycle red RAL3001

Dimensions and weights			
DN (xx)	Dimensions (mm)		Weight (kg)
	A	B	
4"	From client	6m max	20



Materials and produ codes for Fig.719.1 Post indicators			
Items	Description	Materials	
1	Corpo	Ductile iron	Ductile iron
2	Coperchio	Ductile iron	Ductile iron
3	Colonnina 4"	A106	A106
4	Piastra fissaggio	A105	A105
5	Viti de copewrchio	SS316	SS316
6	Leva	Galvanized steel	Galvanized steel
7	Vite	C40	SS304
8	Cursore	Aluminium	Bronze
9	Tubo	A106	A106
10	Asta telescopica	C40	C40
11	Attacco alla valvola	Cast iron	Cast iron
12	Targa	S304	S304
Product codes		719.1.04.101	719.1.04.102

FIG.719.
1

POST INDICATORS



LUPI AUGUSTO TANK & PIPING PRODUCTS ITALY phone: +39 069370701 fax: +39
0697847415

e-mail lupiaugusto@lupiaugusto.com web-site : www.lupiaugusto.com