

**FIG.501.
1**

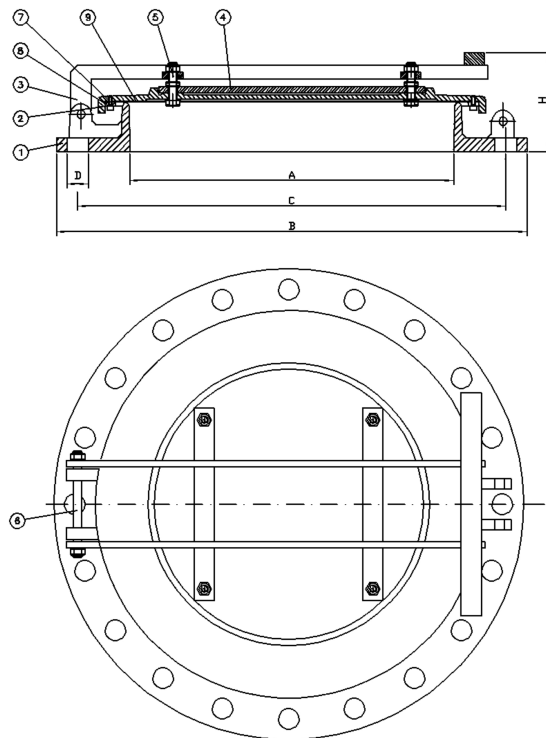
**EMERGENCY RELIEF VENT & MANWAY COVER, ALUMINIUM
CONSTRUCTION**



LUPI AUGUSTO TANK & PIPING PRODUCTS ITALY phone: +39 069370701 fax: +39 0697847415

e-mails: info@lupiaugusto.com lupiaugusto@tiscali.it web-site : www.lupiaugusto.com

Technical data	
Design pressure	0.5 Bar
Design temperature	-20/+80 °C
Setting range - pressure	20...500 mmH2O
ATEX certificated	
Factory tested	dimensional correct setting leakage
Sizes	20" and 24"
Connection	API 650 Drilled ANSI 150# FF Drilled UNI PN10/16
External finiture:	aluminium paint or epoxy RAL7023



Dimensions and weights								
DN (xx)	Dimensions (mm)						Holes (No)	Weight (kg)
	A	B	C	D	H	S		
20" API 650	500	660	597	19	130	20	16	15
20" ANSI 150#FF	500	698	635	32	130	20	20	15
20" UNI PN10 FF	500	670	620	26	130	20	20	15
24" API 650	600	762	699	19	180	22	20	20
24" ANSI 150#FF	600	812	749	35	180	22	20	20
24" UNI PN10 FF	600	780	725	30	180	22	20	20

Materials and product codes for Fig.501.1 EMERGENCY RELIEF VENT		
Items	Description	Materials of construction
1	Body	Aluminium
2	Cover	Aluminium
3	Lever	Galvanized steel
4	Setting weight	Carbon steel
5	Cover bolts	SS304
6	Shaft	SS304
7	Diaphragm screws	SS304
8	Retaining ring	Aluminium
9	Diaphragm	Neoprene® Viton® Teflon®
Product code with API650 flanges		501.1.xx.101
Product code with Ansi flanges		501.1.xx.102
Product code with UNI flanges		501.1.xx.103

Neoprene® Viton® Teflon® Kalrez® are DuPont's™ trademarks. DuPont is a trademark of DuPont and its affiliates