

**FIG.434.  
2**

**END-OF-LINE DEFLAGRATION FLAME ARRESTER, WELDED CONSTRUCTION, EN12874 ATEX, WITH WATERHOOD AND WELDED FLANGES**

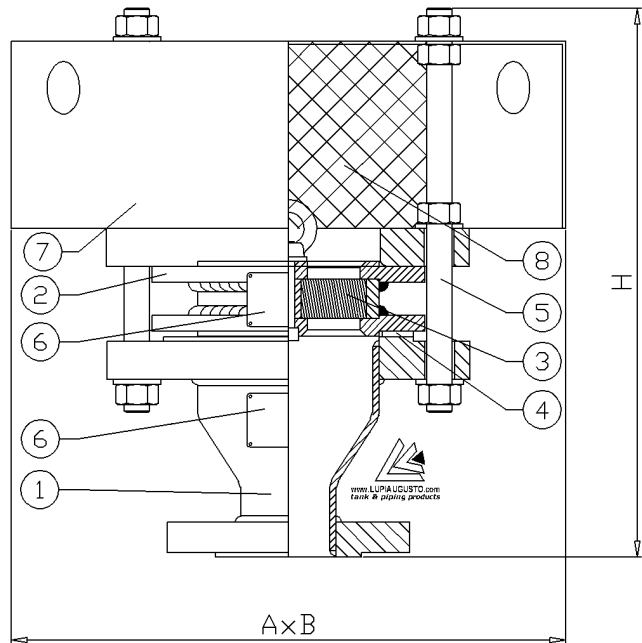


LUPI AUGUSTO TANK & PIPING PRODUCTS ITALY phone: +39 069370701 fax: +39 0697847415

e-mails: [info@lupiaugusto.com](mailto:info@lupiaugusto.com) [lupiaugusto@tiscali.it](mailto:lupiaugusto@tiscali.it) web-site : [www.lupiaugusto.com](http://www.lupiaugusto.com)

Technical data	
Design code	EN.12874
Design P	10 Bar
Design T	-20/+150 °C
Installation	End-of-line on tank top
Max operating P	0.5 Bar
Max operating T	60 °C
Corrosion allowance	3mm
MESG	>0.9
Gas group	IIA
ATEX certificated	Ex-GIIA
Factory tested:	dimensional pressure 7 Bar
Sizes	2" to 12"
Connections	ANSI 150# RF
External painting:	SA 2.5+ epoxy

Dimensions & weights				
DN (xx)	Dimensions (mm)			Weight (kg)
	A	B	H	
2"	280	280	250	18
3"	350	350	350	30
4"	420	420	350	45
6"	540	540	450	80
8"	600	600	550	120
10"	700	700	650	220
12"	800	800	750	320



Not for long-period or endurance burning

Materials and product codes for Fig.434.2 Flame Arresters					
Items	Description	Materials of construction			
1	Body	Carbon steel	Carbon steel	SS304L	SS316L
2	Housing	Carbon steel	SS316L	SS316L	SS316L
3	Elements	SS316L	SS316L	SS316L	SS316L
4	Gasket	Asbestos free	Asbestos free	PTFE	PTFE
5	Bolts	Galv.d steel	Galv.d steel	SS304	SS304
6	Label	SS316	SS316	SS316	SS316
7	Waterhood	Galv.d steel	Galv.d steel	SS316	SS316
8	Screen	SS304	SS304	SS304	SS304
<b>Product code with Ansi flange</b>		<b>434.2.xx.101</b>	<b>434.2.xx.103</b>	<b>434.2.xx.105</b>	<b>434.2.xx.107</b>
<b>Product code with UNI flanges</b>		<b>434.2.xx.102</b>	<b>434.2.xx.104</b>	<b>434.2.xx.106</b>	<b>434.2.xx.108</b>

Neoprene® Viton® Teflon® Kalrez® are DuPont's™ trademarks. DuPont is a trademark of DuPont and its affiliates

**FIG.434.  
2**

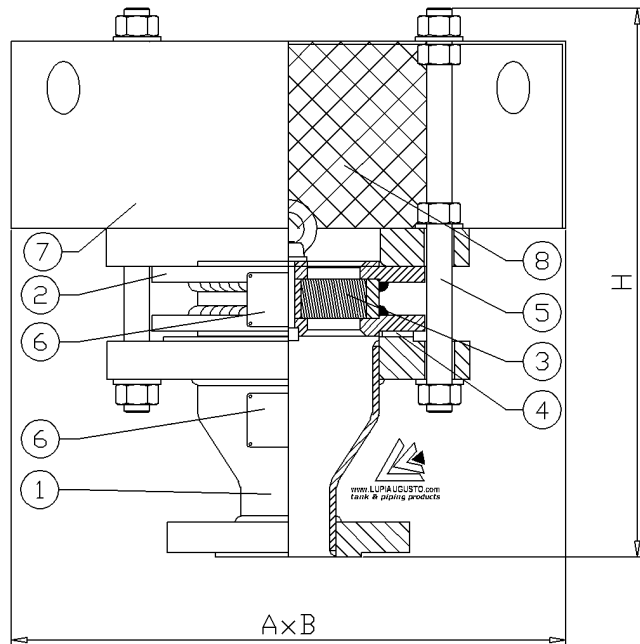
**END-OF-LINE DEFLAGRATION FLAME ARRESTER, WELDED CONSTRUCTION, EN12874 ATEX, WITH WATERHOOD AND WELDED FLANGES**



LUPI AUGUSTO TANK & PIPING PRODUCTS ITALY phone: +39 069370701 fax: +39 0697847415

e-mails: [info@lupiaugusto.com](mailto:info@lupiaugusto.com) [lupiaugusto@tiscali.it](mailto:lupiaugusto@tiscali.it) web-site : [www.lupiaugusto.com](http://www.lupiaugusto.com)

Technical data	
Design code	EN.12874
Design P	10 Bar
Design T	-20/+150 °C
Installation	End-of-line on tank top
Max operating P	0.5 Bar
Max operating T	60 °C
Corrosion allowance	3mm
MESG	>0.9
Gas group	IIA
ATEX certified	Ex-GIIA
Factory tested:	dimensional pressure 7 Bar
Sizes	2" to 12"
Connections	ANSI 150# RF
External painting:	SA 2.5+ epoxy



Not for long-period or endurance burning

Dimensions & weights				
DN (xx)	Dimensions (mm)			Weight (kg)
	A	B	H	
2"	280	280	250	18
3"	350	350	350	30
4"	420	420	350	45
6"	540	540	450	80
8"	600	600	550	120
10"	700	700	650	220
12"	800	800	750	320

Materials and product codes for Fig.434.2 Flame Arresters				
Items	Description	Materials of construction		
1	Body	<b>A350 LF2/WPL6</b>	<b>Hastelloy-c</b>	<b>duplex</b>
2	Housing	<b>SS316L</b>		
3	Elements	<b>SS316L</b>		
4	Gasket	<b>K-C4500</b>		
5	Bolts	<b>A320.L77A194.7M</b>		
6	Label	<b>SS316</b>		
7	Waterhood	<b>SS316L</b>		
8	Screen	<b>SS304</b>		
<b>Product code with Ansi flange</b>		<b>434.2.xx.109</b>	<b>434.2.xx.111</b>	<b>434.2.xx.113</b> <b>434.2.xx.115</b>
<b>Product code with UNI flanges</b>		<b>434.2.xx.110</b>	<b>434.2.xx.112</b>	<b>434.2.xx.114</b> <b>434.2.xx.116</b>

Neoprene® Viton® Teflon® Kalrez® are DuPont's™ trademarks. DuPont is a trademark of DuPont and its affiliates