
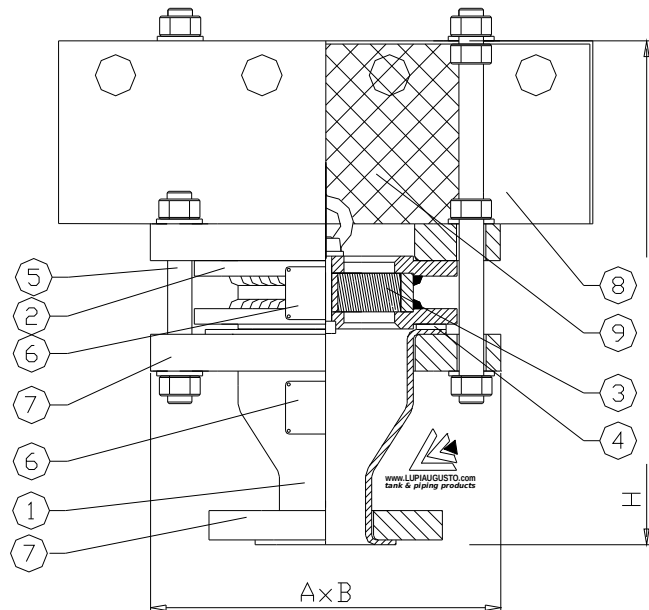


FIG.433. 2	END-OF-LINE DEFLAGRATION FLAME ARRESTER, WELDED CONSTRUCTION, EN.12874 Ex-GIIA WITH WATERHOOD AND LOOSE FLANGE	
-----------------------	---	---

LUPI AUGUSTO TANK & PIPING PRODUCTS ITALY phone: +39 069370701 fax: +39 0697847415

e-mails: info@lupiaugusto.com lupiaugusto@tiscali.it web-site : www.lupiaugusto.com

Technical data	
Design code	EN.12874
Design pressure	0.5 Bar
Design temperature	-20/+120 °C
Installation:	End-of-line of a pipe or on tank top
Max operating pressure	0.5 Bar
Max operating temperature	60 °C
MESG	>0.9
Gas group	IIA
ATEX certificated	Ex-GIIA
Factory tested	dimensional pressure 0.7 Bar
Size/s	2"...12"
Connections	ANSI 150# FF UNI PN 10/16 FF
External finiture:	pickled



Not for long-period or endurance burning

Dimensions & weights				
DN (xx)	Dimensions (mm)			Weight (kg)
	A	B	H	
2"				
3"				
4"				
6"				
8"				
10"				
12"				

Materials and product codes for Fig.433.2 Flame Arresters			
Items	Description	Materials	
1	Body	SS304L	SS316L
2	Container	SS304L	SS316L
3	Elements	SS316L	SS316L
4	Gasket	Asbestos free	Teflon®
5	Bolts	SS304	SS304
6	Label	SS304	SS304
7	Loose flange	Aluminium	Aluminium
8	Waterhood	SS304L	SS316L
9	Net	SS304	SS304
Product code with Ansi flange		433.2.xx.101	433.2.xx.103
Product code with UNI flange		433.2.xx.102	433.2.xx.104

Neoprene® Viton® Teflon® Kalrez® are DuPont's™ trademarks. DuPont is a trademark of DuPont and its affiliates