

4

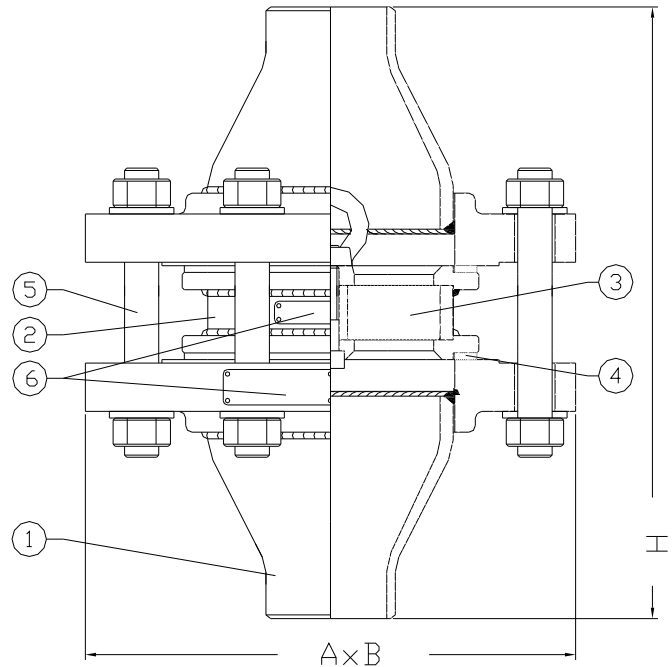
FIG.428.2 END-OF-LINE DEFLAGRATION FLAME ARRESTER EN.12874, PED, FROM 2" TO 12" B.W. ENDS



LUPI AUGUSTO TANK & PIPING PRODUCTS ITALY phone: +39 069370701 fax: +39 0697847415

e-mails: info@lupiaugusto.com lupiaugusto@tiscali.it web-site : www.lupiaugusto.com

Technical data	
Design codes	EN.12874 ASME VIII, IX
Design pressure	10 Bar
Design temperature	-10/+250 °C for C.S. -120/+250 °C for S.S.
Installation	END-OF-LINE, vertical, at the end of a pipe or on tank top
Max operating temperature	60 °C
MESG	>0.9
Gas group	IIA
Atex certificated	Ex-GIIA
Ped certificated	On request
Factory tested:	dimensional pressure 19.38 Bar
Size/s	2"...12"
Connections	ANSI 150# FF UNI PN 10/16 FF
External finiture:	epoxy cycle RAL7023 for C.S. or pickled for S.S.



Not for long-period or endurance burning

Dimensions & weights				
DN (xx)	Dimensions (mm)			Weight (kg)
	A	B	H	
2"	230	230		
3"	280	280		
4"	345	345		
6"	483	483		
8"	597	597		
10"	699	699		
12"	813	813		

Materials and product codes for Fig.428.2 Flame Arresters						
Items	Description	Materials of construction				
1	Body	Carbon steel	SS304L	SS316L	Hastelloy C276	Carbon steel
2	Container	SS316L	SS316L	SS316L	SS316L	Carbon steel
3	Elements	SS316L	SS316L	SS316L	SS316L	SS316L
4	Gaskets	Asbestos free fibre Teflon®				
5	Bolts	B7/2H	8-8A/B8-B8A	8-8A/B8-B8A	8-8A/B8-B8A	B7/2H
6	Label	SS304	SS304	SS304	SS304	SS304
Product code with Ansi B.W. ends		428.2.xx.101	428.2.xx.103	428.2.xx.105	428.2.xx.107	428.2.xx.109
Product code with UNI B.W.ends		428.2.xx.102	428.2.xx.104	428.2.xx.106	428.2.xx.108	428.2.xx.110

Neoprene® Viton® Teflon® Kalrez® are DuPont's™ trademarks. DuPont is a trademark of DuPont and its affiliates