

4

FIG.426.1 END-OF-LINE DEFLAGRATION FLAME ARRESTER EN.12874 WITH WATER HOOD

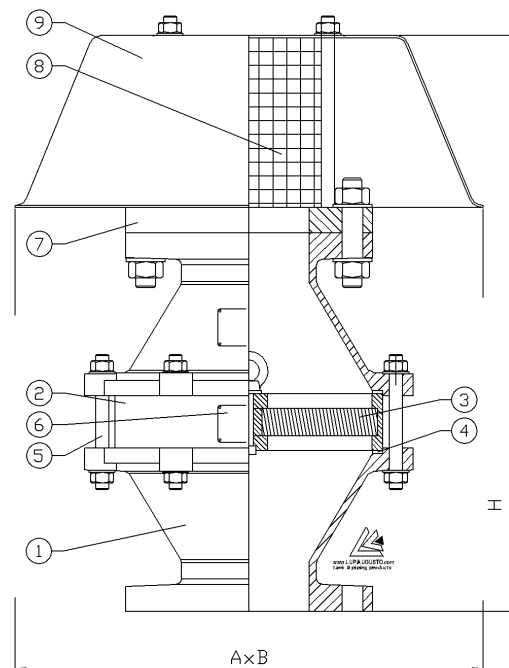


LUPI AUGUSTO TANK & PIPING PRODUCTS ITALY phone: +39 069370701 fax: +39 0697847415

e-mail: info@lupiaugusto.com lupiaugusto@tiscali.it website: www.lupiaugusto.com

Technical data	
Design code	EN.12874
Design pressure	0.5 Bar
Design temperature	-10/+120 °C
Installation	End-of-line, at the end of a pipe or on tank top
Max operating pressure	0.5 Bar
Max operating temperature	60°C
Gas group	IIA
Atex certificated	Ex-GIIA
Factory tested	dimensional pressure 0.7 Bar
Size	from 2" to 12"
Connections	ANSI 150# FF or UNI/DIN PN 10/16 FF
External finiture:	aluminium paint as std or epoxy cycle RAL7023

Dimensions & weights				
DN (xx)	Dimensions (mm)			Weight (kg)
	A	B	H	
2"	245	245	360	8
3"	280	280	400	12
4"	360	360	460	16
6"	440	440	535	26
8"	520	520	665	48
10"	590	590	775	72
12"	670	670	925	120



Not for long-period or endurance burning

Materials and product codes for Fig.426.1 End-of-line Deflagration Flame Arrester		
Items	Description	Materials
1	Body	Aluminium
2	Case	Aluminium
3	Elements	SS316L
4	Gaskets	Asbestos free
5	Bolts	Galvanized steel
6	Labels	SS304
7	Flange	Aluminium
8	Net	SS304
9	Water hood	Galvanized steel
Product code with ANSI flange		426.1.xx.101
Product code with UNI flangeS		426.1.xx.102

Neprene® Viton® Teflon® Kalrez® are DuPont's™ trademarks. DuPont is a trademark of DuPont and its affiliates.