

4

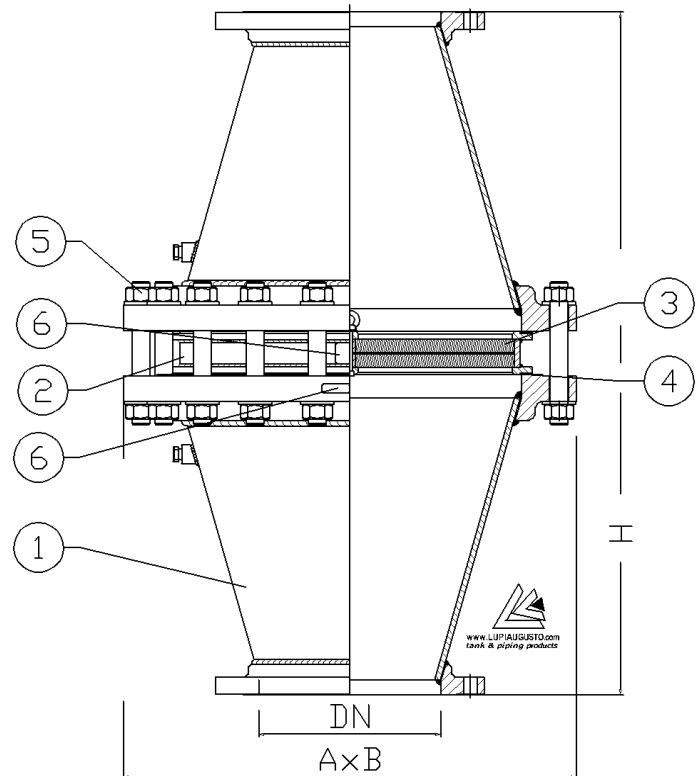
**FIG.422.2 IN-LINE DEFLAGRATION FLAME ARRESTER
EN.12874, PED, FROM 14" TO 24"**


LUPI AUGUSTO TANK & PIPING PRODUCTS ITALY phone: +39 069370701 fax: +39 0697847415

e-mails: lupiaugusto@gmail.com web-site : www.lupiaugusto.com

Technical data	
Design codes	EN.12874 ASME VIII, IX
Design pressure	10 Bar
Design temperature	-10/+250 °C for C.S. -120/+250 °C for S.S.
Max operating temperature	60°C
Installation	In-line deflagration, vertical, bidirectional, max distance from flame source DNx50
Max operating temperature	60 °C
MESG	>0.9
Gas group	IIA
ATEX certificated	Ex-GIIA
PED certificated	on request
Factory tested:	dimensional pressure 19.38 Bar
Size/s	14"...24"
Connections	ANSI 150# FF UNI PN 10/16 FF
External finiture:	epoxy cycle RAL7023 for C.S. or pickled for S.S.

Dimensions & weights				
DN (xx)	Dimensions (mm)			Weight (kg)
	A	B	H	
14"	927	927	1800	600
16"	1060	1060	1800	700
18"	1168	1168	1850	800
20"	1290	1290	1850	1100
22"	1350	1350	1900	1300
24"	1511	1511	1900	1700



Materials and product codes for Fig.422.2 Flame Arrester						
Items	Description	Materials				
1	Body	Carbon steel	SS304L	SS316L	Hastelloy C276	Carbon steel
2	Container	SS316L	SS316L	SS316L	SS316L	Carbon steel
3	Elements	SS316L	SS316L	SS316L	SS316L	SS316L
4	Gaskets			Asbestos free	Teflon®	
5	Bolts	B7/2H	8-8A/B8-B8A	8-8A/B8-B8A	8-8A/B8-B8A	8-8A/B8-B8A
6	Label	SS304	SS304	SS304	SS304	SS304
Product code Ansi flanges		422.2.xx.101	422.2.xx.103	422.2.xx.105	422.2.xx.107	422.2.xx.109
Product code with UNI flanges		422.2.xx.102	422.2.xx.104	422.2.xx.106	422.2.xx.108	422.2.xx.110

Neoprene® Viton® Teflon® Kalrez® are DuPont's™ trademarks. DuPont is a trademark of DuPont and its affiliates