

3

FIG.322.1 PRESSURE SPRING LOADED & VACUUM BREATHER VALVE, FLANGED DISCHARGE

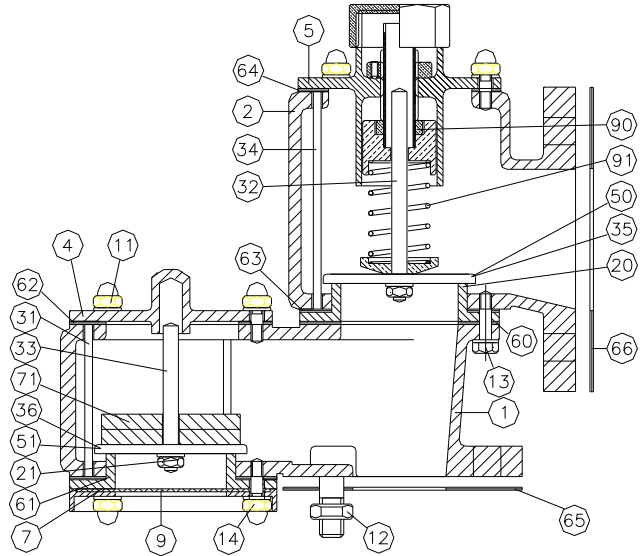


LUPI AUGUSTO TANK & PIPING PRODUCTS ITALY phone: +39 069370701 fax: +39 0697847415

e-mail: info@lupiaugusto.com lupiaugusto@tiscali.it website: www.lupiaugusto.com

Technical data	
Design pressure	0.5 Bar
Design temperature	-10/+120 °C
Setting range:	
- pressure	20...4500 mmH2O
- vacuum	-20...-500 mmH2O
Atex certificate	
Factory tested:	Body pressure 0.7 Bar dimensional correct setting/s leakage API2521
Size/s	from 2"x3" to 12"x14"
Connections	ANSI 150# FF or UNI PN 10/16 FF
External finiture:	aluminium paint as std or epoxy RAL7023

Dimensions & weights				
DN (xx)	Dimensions (mm)			Weight (kg)
	A	B	H	
2"x3"	330	200	440	17
3"x4"	400	229	474	20
4"x6"	460	285	560	43
6"x8"	585	343	671	60
8"x10"	800	406	800	70
10"x12"	960	483	1050	98
12"x14"	1050	534	1150	128



Materials and product codes for Fig.302.1 Pressure and Vacuum Relief Valves				
Items	Description	Materials		
1	Body	Aluminium	Aluminium	Alum/PTFE lined
2	Conveyor	Aluminium	Aluminium	Alum/PTFE lined
3				
4-5	Cover/s	Aluminium	Aluminium	Alum/PTFE lined
7	Drip ring	Aluminium	Aluminium	Alum/PTFE lined
9	Screen	SS304	SS304	SS304
11-13-14	Body screws	SS304	SS304	SS316
12	Flange bolts	Galv.d steel	Galv.d steel	SS304
20-21	Seat/s	Aluminium	Alum/PTFE lined	Alum/PTFE lined
31-34	Guide post/s	SS304	SS304	SS316
32-33	Pallet stem/s	SS304	SS304	SS316
35-36	Pallet/s	SS316	SS316	SS316
50-51	Insert/s	Neoprene® Viton® Teflon®	Teflon® FEP Kelrez®	
60...64	Body gasket/s	Asbestos free	Asbestos free	PTFE
65-66	Flange gasket/s	Asbestos free	Asbestos free	PTFE
70-71	Setting weight/s	Lead	Lead	SS304
90	Spring assembly	Alum/SS316/ Teflon®	Alum/SS316/ Teflon®	Alum/SS316/ Teflon®
Product code with ANSI flange/s		322.1xx.101	322.1.xx.103	322.1.xx.105
Product code with UNI flange/s		322.1.xx.102	322.2.xx.104	322.1.xx.106

Neoprene® Viton® Teflon® Kelrez® are DuPont's™ trademarks. DuPont™ is a trademark of DuPont™ and its affiliates