

3

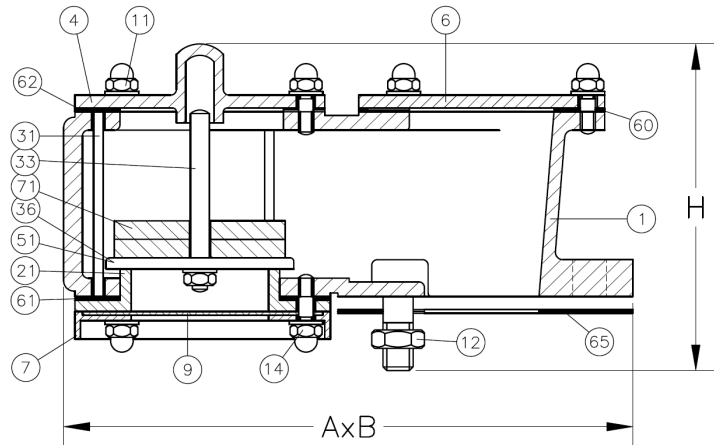
FIG.305.1 VACUUM RELIEF VALVE



LUPI AUGUSTO TANK & PIPING PRODUCTS ITALY phone: +39 069370701 fax: +39 0697847415

e-mail: info@lupiaugusto.com lupiaugusto@tiscali.it web-site: www.lupiaugusto.com

Technical data	
Design pressure	0.5 Bar
Design temperature	-10/+120 °C
Setting range:	- vacuum -20...-500 mmH2O
Atex certificate	
Factory tested:	body pressure 0.7 Bar dimensional correct setting/s leakage API2521
Size	from 2" to 12"
Connections	ANSI 150# FF UNI PN 10/16 FF
External finiture:	aluminium paint as std or epoxy RAL7023



Dimensions and weights				
DN (xx)	Dimensions (mm)			Weight (kg)
	A	B	H	
2"	295	165	185	6
3"	365	200	215	9
4"	425	230	245	14
6"	547	285	290	20
8"	700	345	350	25
10"	750	407	400	43
12"	800	485	450	53

Materials and product codes for Fig.305.1 Vacuum Relief Valves				
Items	Description	Materials		
1	Body	Aluminium	Aluminium	Alum/PTFE lined
4-6	Cover/s	Aluminium	Aluminium	Alum/PTFE lined
7	Drip ring	Aluminium	Aluminium	Alum/PTFE lined
9	Screen	SS304	SS304	SS304
11-14	Body screws	SS304	SS304	SS316
12	Flange bolts	Galv.d steel	Galv.d steel	SS304
21	Seat	Aluminium	Alum/PTFE lined	Alum/PTFE lined
31	Guide post	SS304	SS304	SS316
33	Pallet stem	SS304	SS304	SS316
36	Pallet	SS316	SS316	SS316
51	Insert	Neoprene® Viton® Teflon® Teflon®FEP Kalrez®		
61...62	Body gasket	Asbestos free	Asbestos free	PTFE
65	Flange gasket	Asbestos free	Asbestos free	PTFE
71	Setting weight	Lead	Lead	SS304
Product code with ANSI flange/s		305.1.xx.101	305.1.xx.103	305.1.xx.105
Product code with UNI flange/s		305.1.xx.102	305.1.xx.104	305.1.xx.106

Neoprene® Viton® Teflon® Teflon®FEP Kalrez® are DuPont's™ trademarks. DuPont™ is a trademark of DuPont™ and its affiliates.