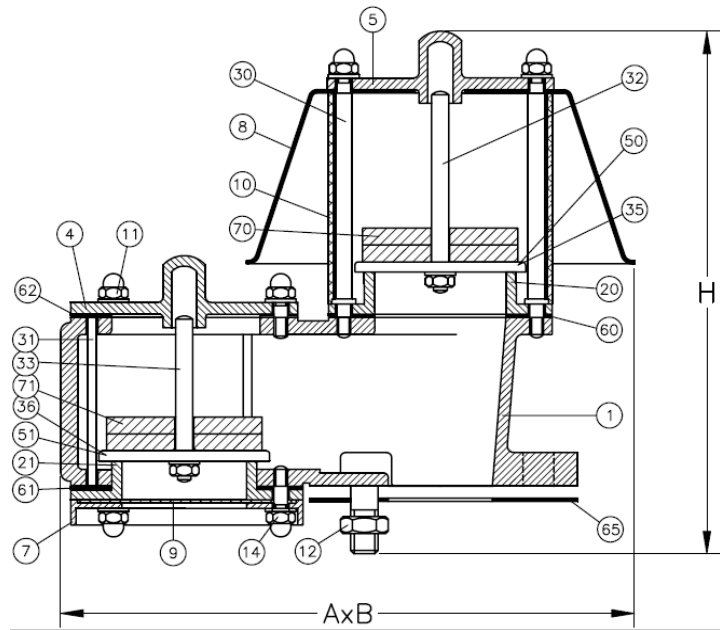


FIG.301.1 VALVOLA DI RESPIRAZIONE



LUPI AUGUSTO TANK & PIPING PRODUCTS ITALY tel: +39 069370701 fax: +39 06937'0701
 e-mail: info@lupiaugusto.com lupiaugusto@tiscali.it sito-web : www.lupiaugusto.com

Technical data	
Design pressure	0.5 Bar
Design temperature	-20/+120 °C
Setting range:	
-pressure	20...1000 mmH2O
- vacuum	-20...-500 mmH2O
94/9/CE Atex	
Factory tested	body pressure 0.7 Bar
	dimensional
	correct setting/s
	leakage API2521
Size/s	from 2" to 12"
Connections	ANSI 150# FF or UNI PN 10/16 FF
External finish:	aluminium paint as std or epoxy paint RAL7023



Dimensions and weights				
DN (xx)	Dimensions (mm)			Weight (kg)
	A	B	H	
2"	325	225	300	7
3"	375	225	320	10
4"	440	260	350	15
6"	580	340	390	22
8"	800	400	600	43
10"	1000	650	800	57
12"	1100	750	900	71

Materials and product codes for Fig.301.1 Pressure and Vacuum Relief Valves				
Items	Description	Materials		
1	Body	Aluminium	Aluminium	Alum/PTFE lined
4-5-6	Cover/s	Aluminium	Aluminium	Alum/PTFE lined
7	Drip ring	Aluminium	Aluminium	Alum/PTFE lined
8	Water hood	Galv.d steel	Galv.d steel	Galv.d steel
9-10	Screen/s	SS304	SS304	SS304
11-13-14	Body screws	SS304	SS304	SS316
12	Flange bolts	Galv.d steel	Galv.d steel	SS304
20-21	Seat/s	Aluminium	Alum/PTFE lined	Alum/PTFE lined
30-31-34	Guide post/s	SS304	SS304	SS316
32-33	Pallet stem/s	SS304	SS304	SS316
35-36	Pallet/s	SS316	SS316	SS316
50-51	Insert/s	Neoprene® Viton® Teflon®	Teflon®FEP Kalrez®	
60...64	Body gasket/s	Asbestos free	Asbestos free	PTFE
65-66	Flange gasket/s	Asbestos free	Asbestos free	PTFE
70-71	Setting weight/s	Lead	Lead	SS304
Product code with ANSI flange		301.1.xx.101	301.1.xx.103	301.1.xx.105
Product code with UNI flange		301.1.xx.102	301.1.xx.104	301.1.xx.106

Neoprene® Viton® Teflon® Teflon®FEP Kalrez® are DuPont's™ trademarks. DuPont™ is a trademark of DuPont™ and its affiliates.