

2

FIG.204.1 MEASURING & SAMPLING HATCH COVER, HANDWHEEL CLOSING, THREADED

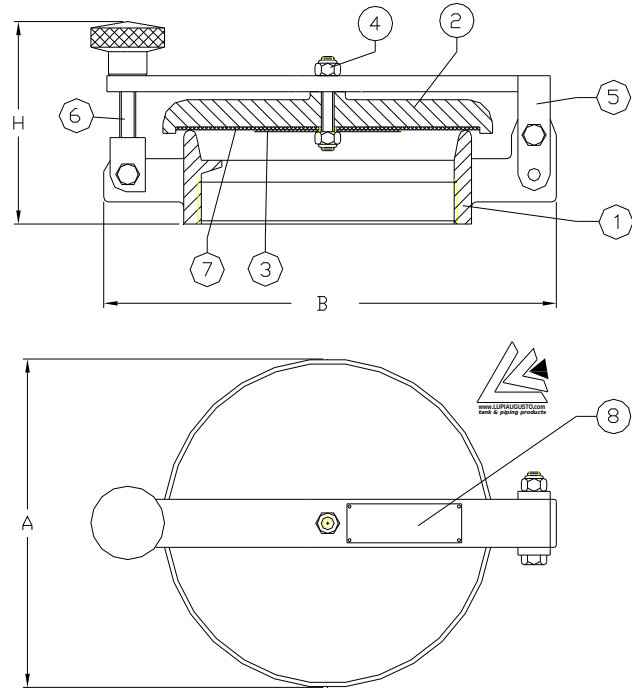


LUPI AUGUSTO TANK & PIPING PRODUCTS ITALY phone: +39 069370701 fax: +39 0697847415

e-mail: lupiaugusto@gmail.com web-site : www.lupiaugusto.com

Technical data	
Design pressure	<0.5 Bar
Design temperature	-20/80 °C
Operating pressure	<0.5 Bar
Operating temperature	-20/80 °C
Standard features	handwheel closing
Special features	padlock
Sizes	6" and 8"
Ex certificate	
Factory tested	dimensional and air-tight at 0.5 Bar
Connection	threaded ANSI B2.1 or UNI339
External finiture:	aluminium paint or epoxy RAL7023

Dimensions and weights				
DN (xx)	Dimensions (mm)			Weight (kg)
	A	B	H	
6"	190	350	160	5
8"	240	400	160	6.5



Materials and product codes for Fig.204.1 HATCH COVER		
Items	Description	Materials of construction
1	Body	Aluminium
2	Cover	Aluminium
3	Retaining disc	Aluminium
4	Screw	SS304
5	Lever	Galvanized steel
6	Handwheel	SS304/PVC
7	Insert	Neoprene® Viton® Teflon®
8	Label	SS304/PVC
Product code threaded ANSI B2.1 204.1.xx.101		
Product code threaded UNI339 204.1.xx.102		

Neoprene® Viton® Teflon® Kalrez® are DuPont's™ trademarks. DuPont is a trademark of DuPont and its affiliates