

2

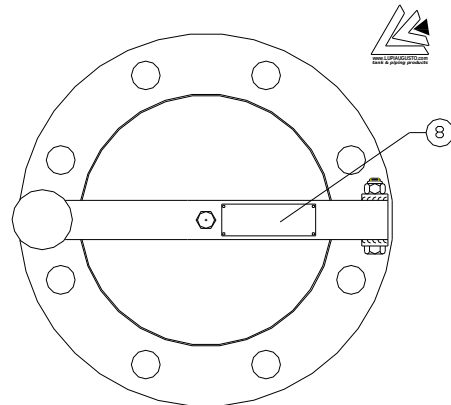
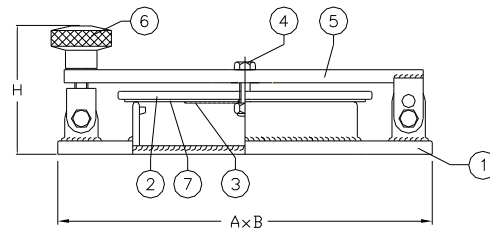
FIG.203.2 MEASURING & SAMPLING HATCH COVER, HANDWHEEL CLOSING FLANGED, AISI316L



LUPI AUGUSTO TANK & PIPING PRODUCTS ITALY phone: +39 069370701 fax: +39 0697847415

e-mail: Lupiaugusto@gmail.com web-site : www.lupiaugusto.com

Technical data	
Design pressure	<0.5 Bar
Design temperature	-20/120 °C
Operating pressure	<0.5 Bar
Operating temperature	-20/120 °C
Standard features	handwheel closing
Special features	padlock
Sizes	6" and 8"
Ex certificate	
Factory tested	dimensional and air-tight at 0.5 Bar
Connection	flanged bored for Ansi 150# FF or UNI PN10/16
External finiture:	Pickled



Dimensions and weights				
DN (xx)	Dimensions (mm)			Weight (kg)
	A	B	H	
6"	295	350	160	14
8"	345	400	160	18

Materials and product codes for Fig.203.2 HATCH COVER

Items	Description	Materials of construction
1	Body	SS316L
2	Cover	SS316L
3	Retaining disc	SS316L
4	Screw	SS316
5	Lever	SS304
6	Handwheel	SS304/PVC
7	Insert	Neoprene® Viton® Teflon®
8	Label	SS304

Product code with Ansi flanges	203.2.xx.101
Product code with UNI flanges	203.2.xx.102

Neoprene® Viton® Teflon® Kalrez® are DuPont's™ trademarks. DuPont is a trademark of DuPont and its affiliates