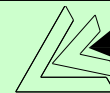


1

FIG.102.2 VAPOUR SEAL LIQUID LEVEL INDICATOR, WELDED CONSTRUCTION



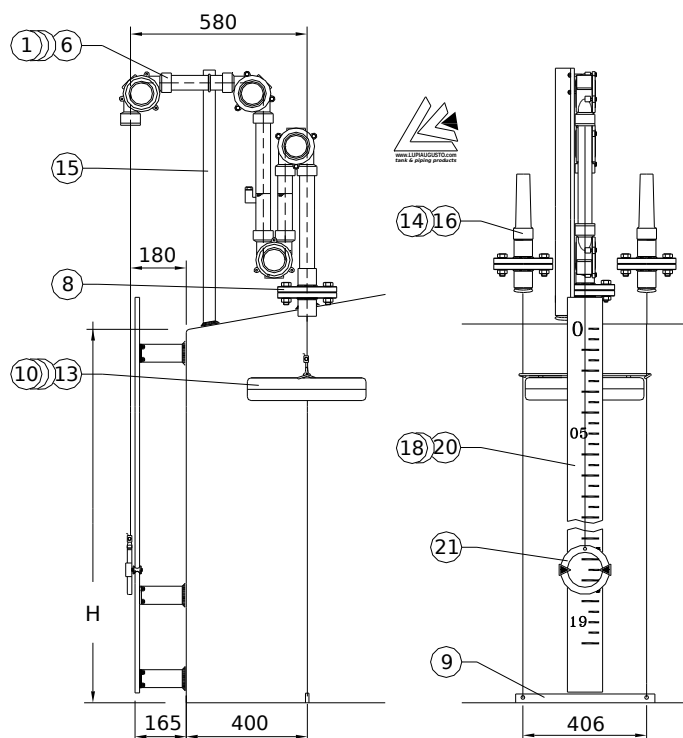
LUPI AUGUSTO TANK & PIPING PRODUCTS ITALY phone: +39 069370701 fax: +39
0697847415

e-mail lupiaugusto@gmail.com web-site www.lupiaugusto.com

Technical data	
Design pressure	<0.5 Bar
Design temperature	-20/100 °C
Operating pressure	-350/+500 mmH2O
Operating temperature	-20/100 °C
Measuring range	2...19.9 m
Atex certificate	
Factory tested:	waterproof for float and dimensional for all items
Connections	1 ½" Ansi 150# RF or UNI PN 10/16
External finiture:	pickled

Package dimensions & weights for one level indicator				
	Dimensions (cm)			Weight (kg)
	A	B	H	
	80	60	30	30

Package dimensions & weights for 10 m scale board				
	Dimensions (cm)			Weight (kg)
	A	B	C	
	210	16	10	12



Materials and product codes for Fig.102.1 Level Indicators

Items	Description	Materials of construction	
1	90° elbows	SS304L	SS316L
2	1 ¼" pipes	SS304L	SS316
3	Pulleys	Teflon®	Teflon®
4	Shaft	SS316	SS316
5	180° elbows	SS304L	SS316L
6	Gaskets	Teflon®	Teflon®
8	Flg connections 1 ½"	SS304L	SS316L
9	Anchor bar	SS304L	SS316L
10	Dia. 390 mm float	SS316	SS316
11	Cable	SS316	SS316
12	Guide wires	SS316	SS316
13	Wire clamps	SS316	SS316
14	Tie rods screws	SS316	SS316
15	Tie rods springs	SS316	SS316
16	Tie rods caps	SS304	SS316
17	Elbow bracket	SS304	SS304
18	Scale board	Aluminium	Aluminium
19	Scale board brackets	SS304	SS304L
20	Bracket screws	SS304	SS304
21	Pointer	Cast iron	Cast iron
Product code Ansi connections		102.2.40.101	102.1.40.103
Product code UNI connections		102.1.40.102	102.1.40.104

Neoprene® Viton® Teflon® Kalrez® are DuPont's™ trademarks. DuPont is a trademark of DuPont and its affiliates.