

# 1

## FIG.102.1 VAPOUR SEAL LIQUID LEVEL INDICATOR



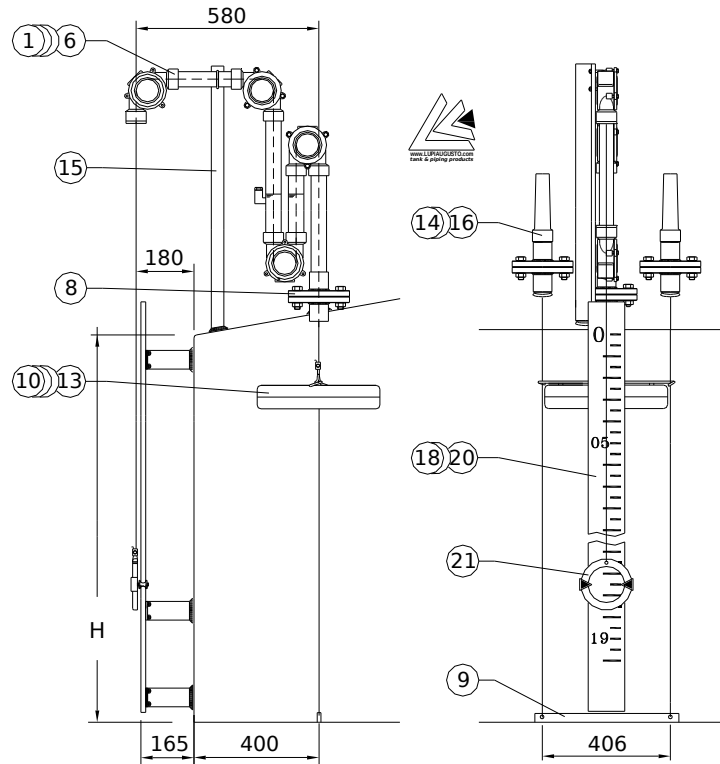
LUPI AUGUSTO TANK & PIPING PRODUCTS ITALY phone: +39 069370701 fax: +39 0697847415

e-mails: [info@lupiaugusto.com](mailto:info@lupiaugusto.com) [lupiaugusto@tiscali.it](mailto:lupiaugusto@tiscali.it) web-site : [www.lupiaugusto.com](http://www.lupiaugusto.com)

Technical data	
Design pressure	<0.5 Bar
Design temperature	-20/80 °C
Operating pressure	-350/+500 mmH2O
Operating temperature	-20/80°C
Measuring range	2...19.9 m
Factory tested:	Waterproof for float and dimensional for all items
Connections	1 1/2" flg Ansi 150# RF or UNI PN 10/16
External finiture	epoxy paint RAL7023

Package dimensions & weights for one level indicator				
	Dimensions (cm)			Weight (kg)
	A	B	H	
	80	60	30	30

Package dimensions & weights for 10 m scale board				
	Dimensions (cm)			Weight (kg)
	A	B	C	
	210	16	10	12



Materials and product codes for Fig.102.1 Level Indicators			
Items	Description	Materials of construction	
1	90° elbows	Aluminium	Alum/Teflon® lined
2	1 1/4" pipes	Galvanized steel	SS316
3	Pulleys	PVC	Teflon®
4	Shaft	SS316	SS316
5	180° elbows	Aluminium	Alum/Teflon® lined
6	Gaskets	Teflon®	Teflon®
8	Flg connections 1 1/2"	Carbon steel	SS316
9	Anchor bar	Carbon steel	SS316
10	Dia. 390 mm float	SS316	SS316
11	Cable	SS316	SS316
12	Guide wires	SS316	SS316
13	Wire clamps	SS316	SS316
14	Tie rods screws	Carbon steel	SS316
15	Tie rods springs	Carbon steel	SS316
16	Tie rods caps	Aluminium	SS316
17	Elbow bracket	Galvanized steel	SS304
18	Scale board	Aluminium	Aluminium
19	Scale board brackets	Galvanized steel	SS304
20	Bracket screws	Galvanized steel	SS304
21	Pointer	Cast iron	Cast iron
<b>Product code Ansi connections</b>		102.1xx.101	102.1.xx.103
<b>Product code UNI connections</b>		102.1xx.102	102.1.xx.104

Neoprene® Viton® Teflon® Kalrez® are DuPont's™ trademarks. DuPont is a trademark of DuPont and its affiliates.