

# 1

## FIG.101.2 LIQUID LEVEL INDICATOR, WELDED CONSTRUCTION

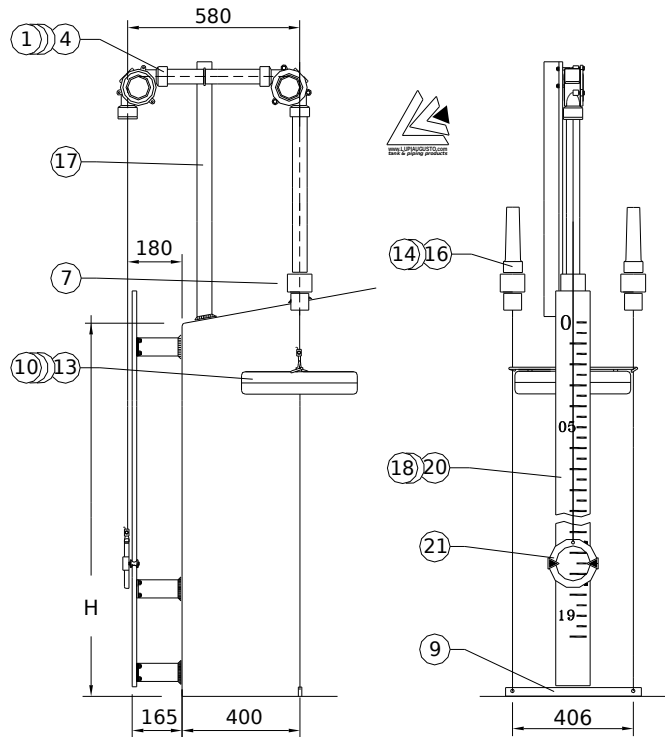


LUPI AUGUSTO TANK & PIPING PRODUCTS ITALY phone: +39 069370701 fax: +39 0697847415  
 e-mail lupiaugusto@gmail.com web-site www.lupiaugusto.com

Technical data	
Design pressure	<0.5 Bar
Design temperature	-20/100 °C
Operating pressure	atmospheric
Operating temperature	-20/100 °C
Measuring range	2...19.9 m
ATEX certificate	
Factory tested:	Waterproof for float and dimensional for all items
Connections	1 ¼" threaded NPT or UNI 339
External finiture	pickled

Package dimensions & weights for one level indicator				
	Dimensions (cm)			Weight (kg)
	A	B	H	
	80	55	22	20

Package dimensions & weights for 10 m scale board				
	Dimensions (cm)			Weight (kg)
	A	B	H	
	210	16	10	12



Materials & product codes for Fig. 101.2 Liquid level indicators				
Items	Description	Materials of construction		
1	90° elbows	SS304L	SS316L	
2	1 ¼" pipes	SS304L	SS316L	
3	Pulleys	Teflon®	Teflon®	
4	Shafts	SS316	SS316	
7	Top connections 1 ¼"	SS304L	SS316	
9	Anchor bar	SS304L	SS316	
10	Dia.390 mm float	SS316	SS316	
11	Cable	SS316	SS316	
12	Guide wires	SS316	SS316	
13	Wire clamps	SS316	SS316	
14	Tie rods	SS316L	SS316	
15	Tie rods springs	SS316	SS316	
16	Tie rods caps	SS304L	SS316	
17	Elbow bracket	SS304L	SS304	
18	Scale board	Aluminium	Aluminium	
19	Scale board brackets	SS304L	SS304	
20	Bracket screws	SS304	SS304	
21	Pointer	Cast iron	Cast iron	
<b>Product code NPT connections</b>		101.2.32.101	101.2.32.103	
<b>Product code UNI339 connections</b>		101.2.32.102	101.2.32.104	

Neoprene® Viton® Teflon® Kalrez® are DuPont's™ trademarks. DuPont is a trademark of DuPont and its affiliates