

1

FIG.101.1 LIQUID LEVEL INDICATOR

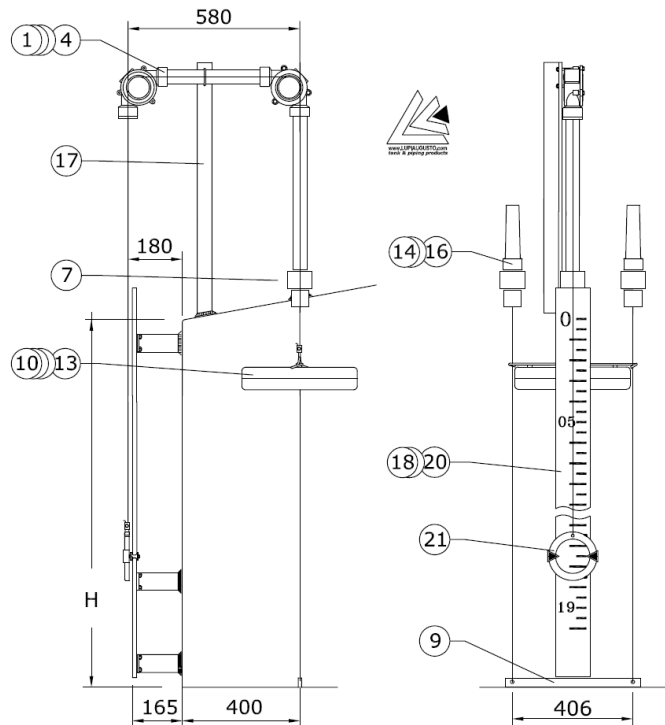


LUPI AUGUSTO TANK & PIPING PRODUCTS ITALY phone: +39 069370701 fax: +39 0697847415
 e-mail lupiaugusto@gmail.com web-site : www.lupiaugusto.com

Technical data	
Design pressure	<0.5 Bar
Design temperature	-20/80 °C
Operating pressure	Atmospheric
Operating temperature	-20/80 °C
Measuring range	2...19.9 m
ATEX certificate	
Factory tested	waterproof for float and dimensional for all items
Connections	Threaded 1 1/4" UNI Flanged 1 1/2" Ansi or UNI
External finiture	epoxy paint RAL7023

Package dimensions & weights for one level indicator				
	Dimensions (cm)			Weight (kg)
	A	B	H	
	80	55	22	20

Package dimensions & weights for 10 m scale board				
	Dimensions (cm)			Weight (kg)
	A	B	H	
	210	16	10	12



Materials & product codes for Fig. 101.1 Liquid level indicators					
Items	Description	Materials of construction			
1	90° elbows	Aluminium	Alum/Teflon® lined	Aluminium	Aluminium
2	1 1/4" pipes	Galvanized steel	SS316L	SS316L	Galv.d steel
3	Pulleys	PVC	Teflon®	PVC	PVC
4	Shafts	SS316	SS316	SS316	SS316
7	Threaded conct.s 1 1/4" Uni	Carbon steel	SS316	Carbon steel	Carbon steel
8	Flanged conct.s 1 1/2" Ansi/Uni	Carbon steel	SS316	Carbon steel	Carbon steel
9	Anchor bar	SS316	SS316	SS316	SS316
10	Dia.390 mm float	SS316	SS316	SS316	SS316
11	Cable	SS316	SS316	SS316	SS316
12	Guide wires	SS316	SS316	SS316	SS316
13	Wire clamps	SS316	SS316	SS316	SS316
14	Tie rods	Carbon steel	SS316	SS316	Carbon steel
15	Tie rods springs	Carbon steel	SS316	SS316	Carbon steel
16	Tie rods caps	Aluminium	SS316	Aluminium	Aluminium
17	Elbow bracket	Carbon steel	SS304	SS304	Carbon steel
18	Scale board	Aluminium	Aluminium	Aluminium	Aluminium
19	Scale board brackets	Galvanized steel	SS304	SS304	Galv.d steel
20	Bracket screws	Galvanized steel	SS304	SS304	Galv.d steel
21	Pointer	Cast iron	Cast iron	Cast iron	Cast iron
Product code UNI 338/339		101.1.32.101	101.1.32.102	101.1.32.103	101.1.32.104
Product code flanged ANSI 150#		101.1.40.101	101.1.40.104	101.1.40.107	101.1.40.110
Product code flanged UNI PN10		101.1.40.102	101.1.40.105	101.1.40.108	101.1.40.111
Product code flanged UNI/ANSI		101.1.40.103	101.1.40.106	101.1.40.109	101.1.40.112

Neoprene® Viton® Teflon® Kalrez® are DuPont's™ trademarks. DuPont is a trademark of DuPont and its affiliates